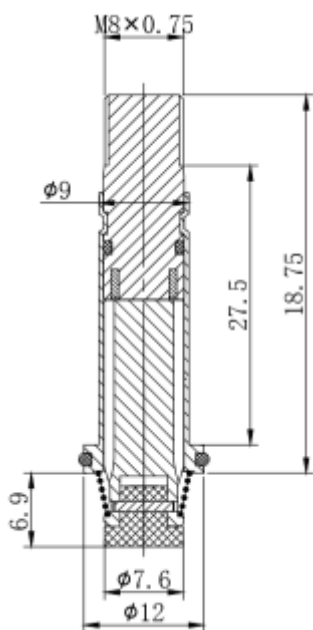


## ■ 先导头简图



## 产品参数清单

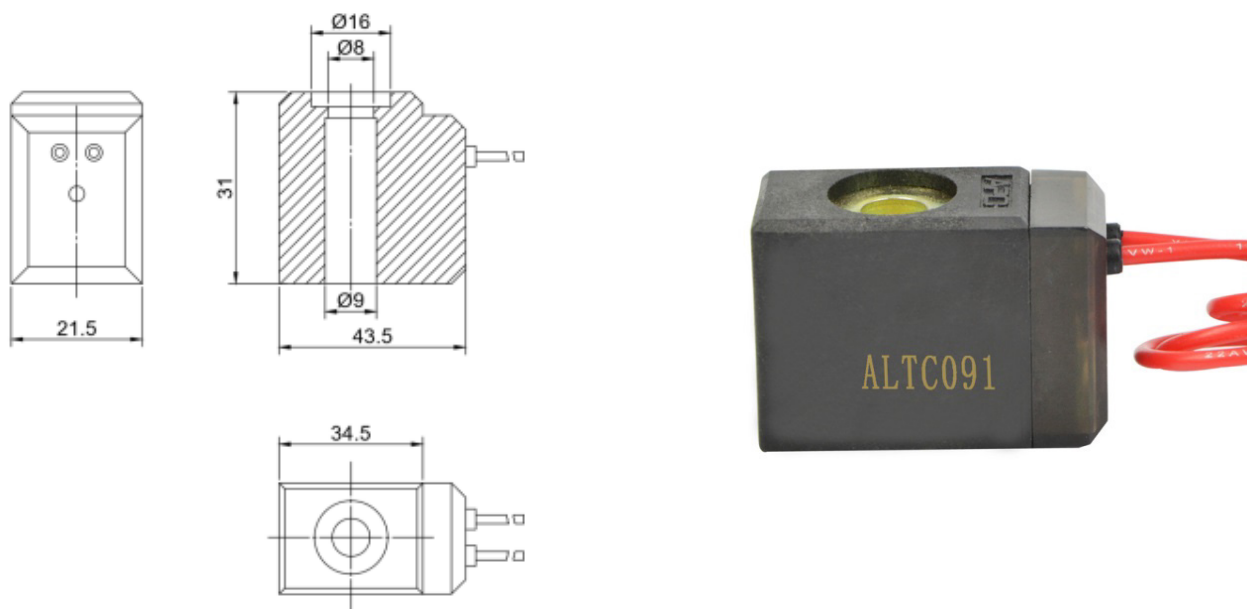
### ALT025-4

套管外径 × 高度	接口尺寸	二通 / 三通	常闭 / 常开	密封件尺寸	交流 / 直流	隔磁管材质	配合线圈型号
Φ9×27.5	Φ12	二通	常闭	Φ7.6	交流	铜	ALTC091

## ■ 产品说明

1. 静铁芯采用高导磁、低剩磁、防锈、耐腐蚀材料制作，经久耐用、反应灵敏。
2. 隔磁管采用管壁厚度 0.5mm 的 H59-1 的铜管制作，防锈、防裂、耐磨、耐腐蚀、隔磁性能好。
3. 采用滚压技术，使产品连接更紧密、牢固。
4. 弹簧材料采用进口不锈钢弹簧专用钢丝制作，压力稳定，复原性能良好。
5. 密封材料采用耐磨、耐油和抗变形性较佳的 NBR 材料制作，密封件使用温度 -30℃ ~ 100℃。

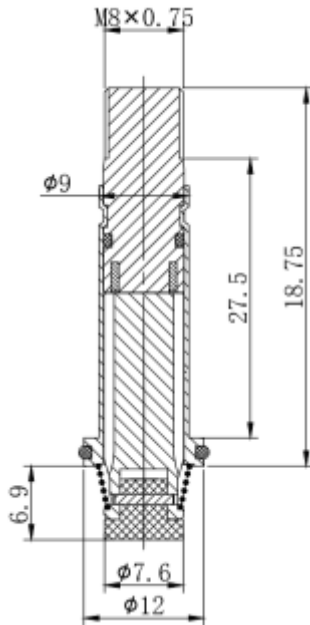
■ **线圈外观图**



■ **线圈参数表**

常规电压	AC220V DC24V	
常规功率	AC	5.5VA
	DC	4.8W
其他特种电压、特种功率可定制		
绝缘等级	B、F、H	
线圈连接方式	引线式	

## Brief Drawing



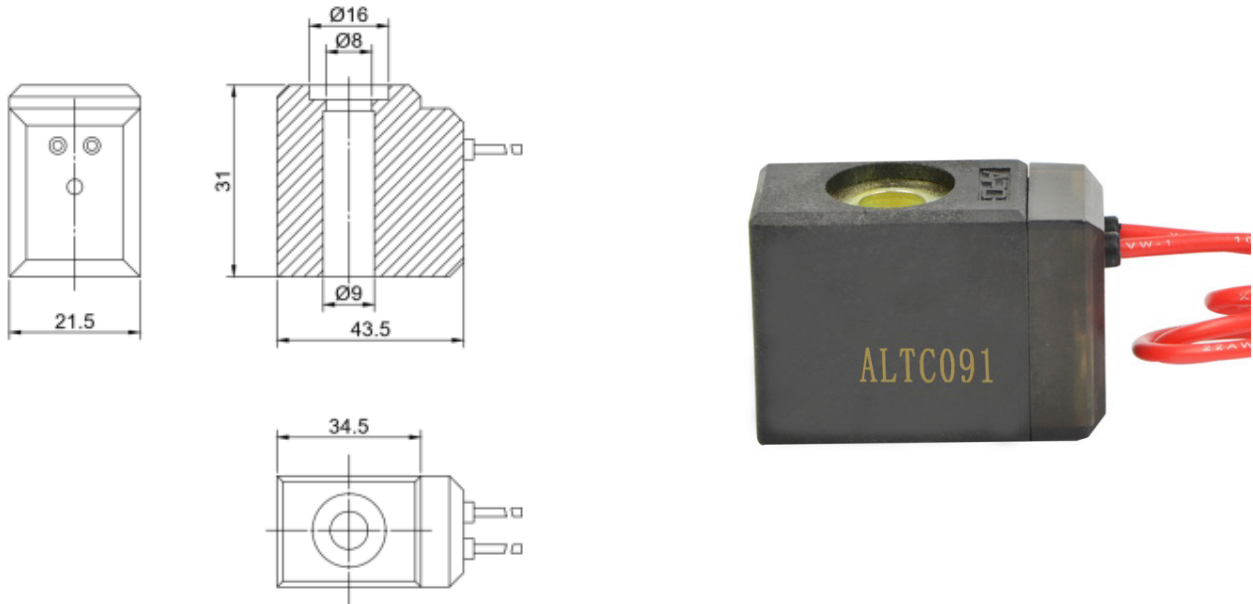
## Product Parameters

ALT025-4							
Tube Assy OD×H	Connection Size / Thread Size	2Way/3Way	NO/NC	Seal Pad Size	AC/DC	Tube Assy Material	Coil For Option
Φ9×27.5	Φ12	2Way	NC	Φ7.6	AC	Copper	ALTC091

## Description

1. Static core and movable plunger are made of JL-37B which has high magnetic permeability, low magnetic residual and excellent anti-corrosion and rust resistance, All of the features make the products durable and responsive.
2. By applying 0.5mm ,H59-1 copper tube, products have excellent features of durability, anti-corrosion as well as rust resistance.
3. Hydraulic rolling technology makes seal condition much safer than normal clamp process.
4. Imported stainless steel spring wires makes stable force and good resilience.
5. Seal material is made of excellent NBR, temperature ranges from -30° -100° .

**Brief drawing**



**Product Parameters**

Normal Voltage	AC220V DC24V	
Normal Power	AC	5.5VA
	DC	4.8W
Other voltage and power can be customized		
Insulation Class	B、F、H	
Connection Type	With Flying Leads	